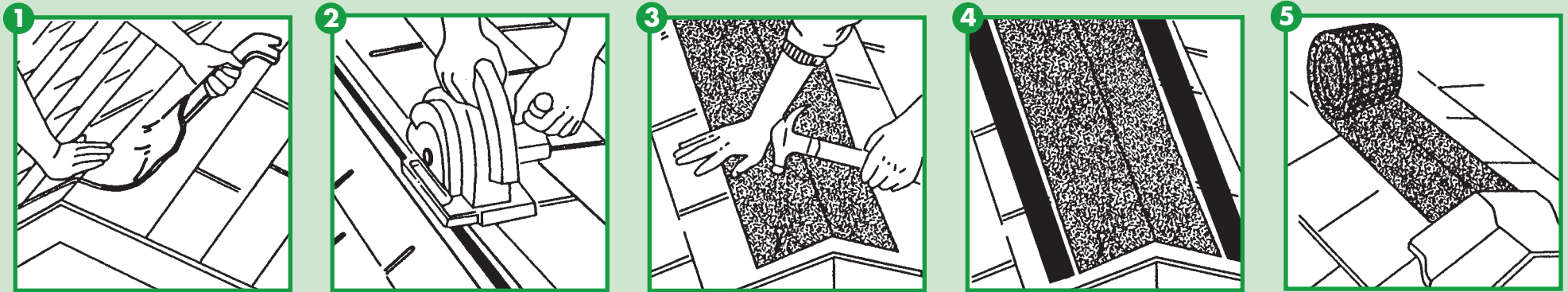
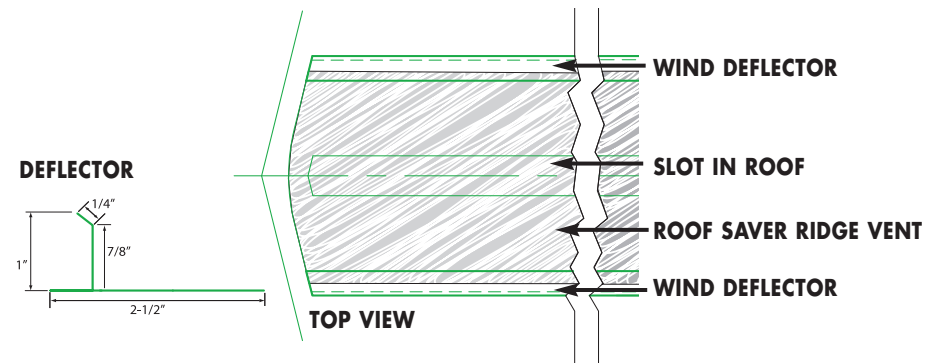


Installation Instructions for High Velocity Hurricane Zones (HVHZ)



1. Remove ridge cap shingles along entire length of roof if the house is already shingled. On new construction, install cap shingles after vent is installed.
2. a. Measure 1" from ridge peak on each side of ridge. For ridge board construction measure 1-3/4" on each side of ridge.
b. Snap chalk line along entire length of ridge. Mark end of cut 12" from inside each end wall and obstruction along the ridge.
c. Adjust circular saw blade depth to avoid cutting rafters. Cut opening in sheathing along ridge.
d. Remove sheathing to create slot.
3. For best appearance, install Roof Saver® along entire length of ridge. Tack one end of Roof Saver® ridge vent, with netting side down, over the slot to hold in place at one end of the ridge. Unroll entire length of vent, pull to remove sags and tack in place so vent is snug and centered over slot. If more than one piece of Roof Saver® is needed, simply butt the multiple pieces together and tack in place with a nail.

4. Use common aluminum drip edge as a wind deflector. Position ridge vent wind deflector parallel to the ridge vent and 1" from edge of vent along each side of ridge. Fasten to roof with 11 gauge 1-3/4" galvanized ring shank nails spaced 6" from end and 18" on center.



5. Install ridge cap shingles directly over Roof Saver®. Use galvanized roofing nails included in package to secure in place. When properly installed, Roof Saver® fills the 3/4" space between the underside of the cap shingle and the top surface of the roof shingles. Do NOT drive nails through shingle. **NAILS INCLUDED**

1 in Value and Performance

Blocksom & Co. • 450 St. John Road • Suite 710 • Michigan City, IN 46360 • 800-745-1408 • www.roofsaver.com

Roof Saver®
Attic Ventilation